

:- The new HEINE EasyClean LED Laryngoscope Handles

Hygienic Reprocessing



Disassemble blade from handle

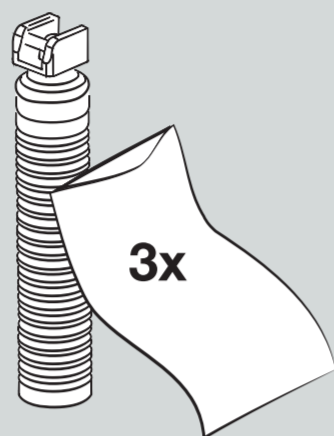
Point of use processing

Choose your preferred reprocessing method

Clean immediately after intubation, e.g. with a wet cleaning tissue. Prevent drying.

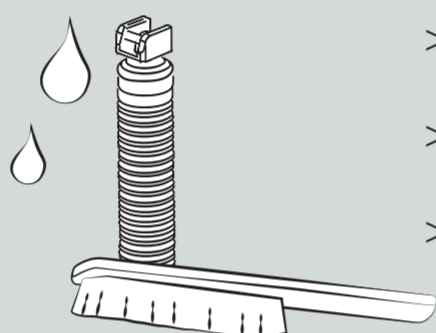
Follow directions for your preferred process, described below.

✓ Wipe disinfection (Intermediate-level disinfection)

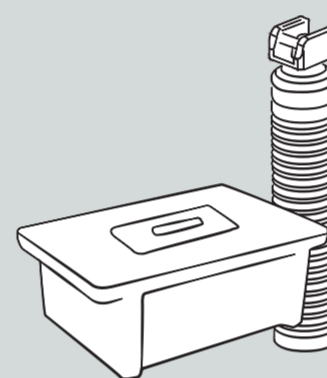


- > Intermediate level disinfection wipes: alcoholic and quarternary ammonium compounds (e.g. Super Sani-Cloth® by PDI®) having an EPA-registered claim for activity against Mycobacterium tuberculosis and Hepatitis B.
- > Start from the top of the handle and wipe down 3 times while turning the handle. This procedure is to be repeated 3 times, each with a new disinfectant wipe.
- > For removing the disinfectant and drying afterwards, consider the required steps as specified by the disinfectant manufacturer.

✓ Immersion disinfection (High-level)



- > Cleaning agent: enzymatic or neutral to mildly alkaline
- > Soak the handle submerged in the cleaning solution
- > Clean all surfaces of the handle shell by brushing (submerged in the cleaning solution)

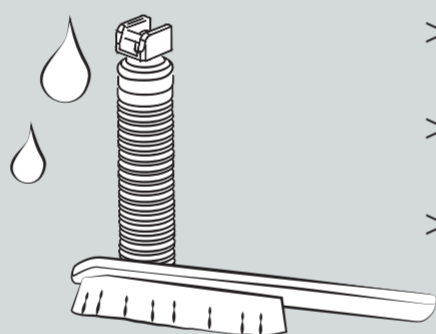


- > Disinfectant: Quarternary ammonium compounds or ortho-phthalaldehyde (e.g. Cidex OPA)
- > Disinfect the closed handle by immersion

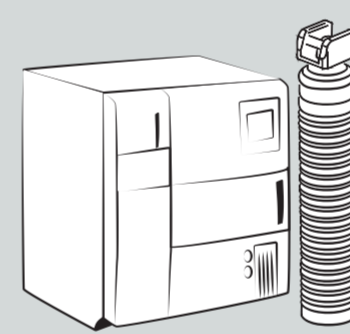
Manual cleaning

Immersion disinfection

✓ Low temperature sterilisation*



- > Cleaning agent: enzymatic or neutral to mildly alkaline
- > Soak the handle submerged in the cleaning solution
- > Clean all surfaces of the handle shell by brushing (submerged in the cleaning solution)



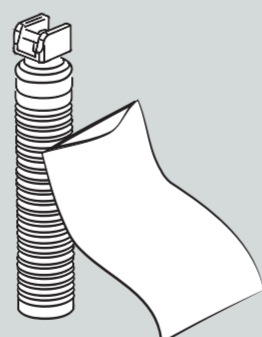
- > STERRAD® NX®, 100NX® or 100S® steriliser (Standard, Advanced cycle)
- > V-PRO® 60, V-PRO® maX steriliser, VAPROX® HC Sterilant
- > V-PRO® 60 or V-PRO® maX steriliser's Lumen Cycle

Manual cleaning

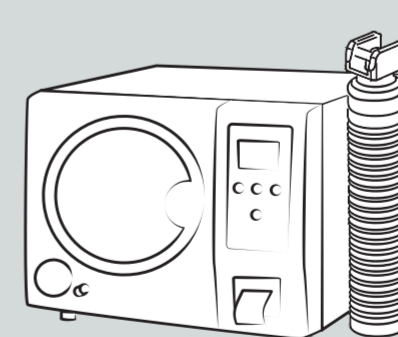
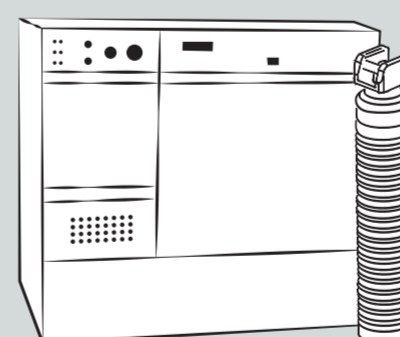
STERRAD®/ VHP® (Steris)

*according to FDA regulation

✓ Automated cleaning-disinfection and steam sterilisation



Remove Batteries!



Manual cleaning

Automated cleaning and disinfection

Steam sterilisation

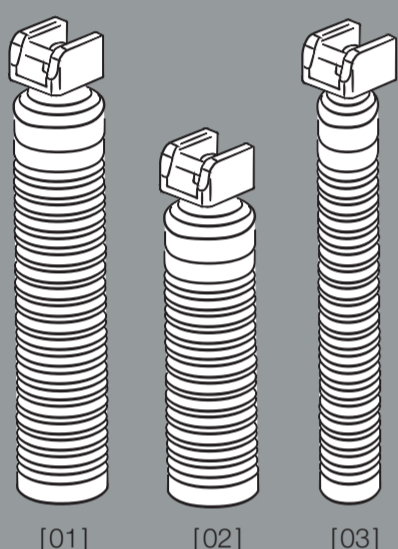
- > If it is required by your institution or country, you can perform manual cleaning of the handle before automated cleaning and disinfection.

- > Cleaning agent: enzymatic or neutral to mildly alkaline.
- > Program with disinfection lasting at least 5 min. at 93 °C.

- > Fractionated vacuum or Gravitation procedure.
- > Temperature: at least 132 °C (max. 134 °C).
- > Exposure time/holding time: at least 4 min.
- > Drying time: at least 20 min.

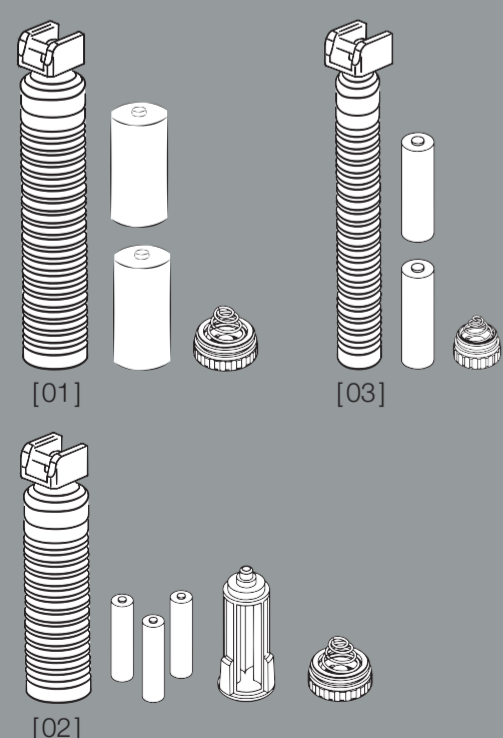
Complete LED-Handle

No Disassembly



Complete LED-Handle

No Disassembly



Remove batteries respectively battery container before reprocessing and close handle

[01] EasyClean LED STANDARD Laryngoscope Handle, [02] EasyClean LED SHORT Laryngoscope Handle, [03] EasyClean LED SLIM Laryngoscope Handle
Please consider in all applied processes or used agents the IFU of the according manufacturer.

